



RING

CRICCHETTO IN NYLON



Cricchetto in nylon | Nylon catch
 Cliquet en nylon | Golpete de nylon



Corpo, riscontri e spessori in nylon, molla elicoidale in acciaio temprato, viti di fissaggio Ø 3,5 TSPC CR in acciaio zincato nero.



Body, plates and thickness in nylon, tempered steel coil spring, black galvanized steel Ø 3.5 TSPC CR mounting screws.



Corps, gâches et cales en nylon, ressort hélicoïdal en acier trempé, vis de fixation Ø 3,5 TSPC CR en acier zingué noir.

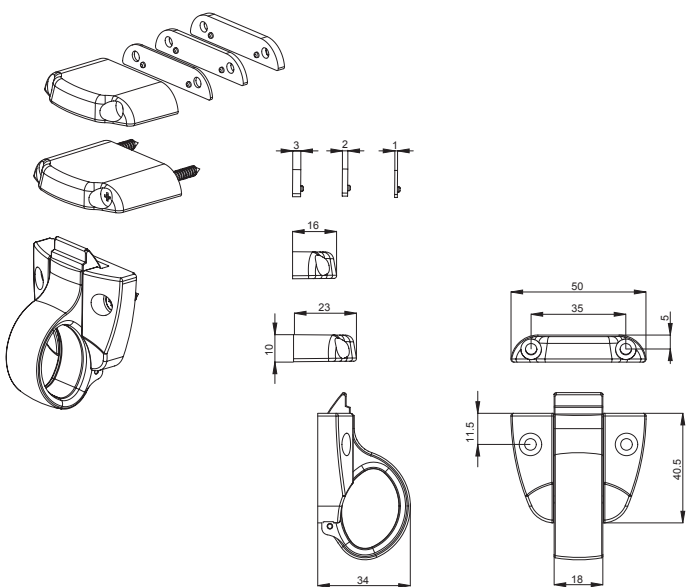


Cuerpo, cerraderos y espesores de nylon, muelle helicoidal de acero templado, tornillos de fijación Ø 3,5 TSPC CR de acero galvanizado negro.

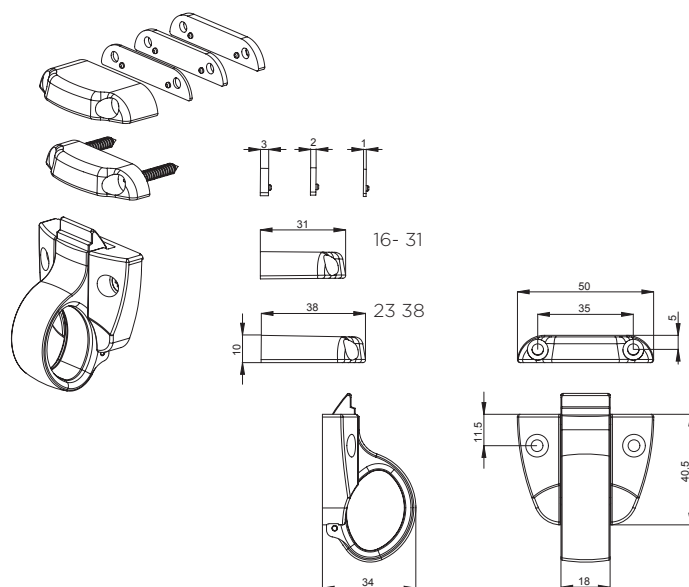


ART.	1502.2 1502.3			
Imballo Package Conditionnement Embalaje	50 PZ			
Finiture disponibili Available finishes Finitions disponibles Acabados disponibles	1	2	3	4

Art. 1502.2



Art. 1502.3



DESCRIZIONE DESCRIPTION	ART.
Cricchetto in nylon con riscontro per sormonto, +7mm Nylon catch with counterplate for overlapped profiles, +7mm	1502.2

DESCRIZIONE DESCRIPTION	ART.
Cricchetto in nylon con riscontro per sormonto, da 15mm a 28mm Nylon catch with counterplate for overlapped profiles, 15mm to 28mm	1502.3